



# 美式开窗器下悬系统 Awning Operator System

JASON HARDWARE  
[www.jasonwj.com](http://www.jasonwj.com)

美式开窗器Awning operator system



### 1747系列

### 1748系列

| 序号<br>NO. | 名称<br>Item             | 编号<br>Part ID            | 数量<br>QTY | 备注<br>Remark             |
|-----------|------------------------|--------------------------|-----------|--------------------------|
| 1         | 传动杆锁座<br>Lock Keeper   | 2850-0417                | 2         | 多款规格可选<br>Various length |
| 2         | 传动杆<br>Tie Bar         | 1747系列传动杆<br>1747 Series | 1         | 多款规格可选<br>Various length |
| 3         | 边锁开关<br>Lock Handle    | 2762-1390-N              | 1         | 可选其它规格<br>Various        |
| 4         | 安装片<br>Back Plate      | 2657-3819                | 1         | 可选其它规格<br>Various        |
| 5         | 传动杆导块<br>Tie Bar Guide | 2856-0260                | 2         |                          |

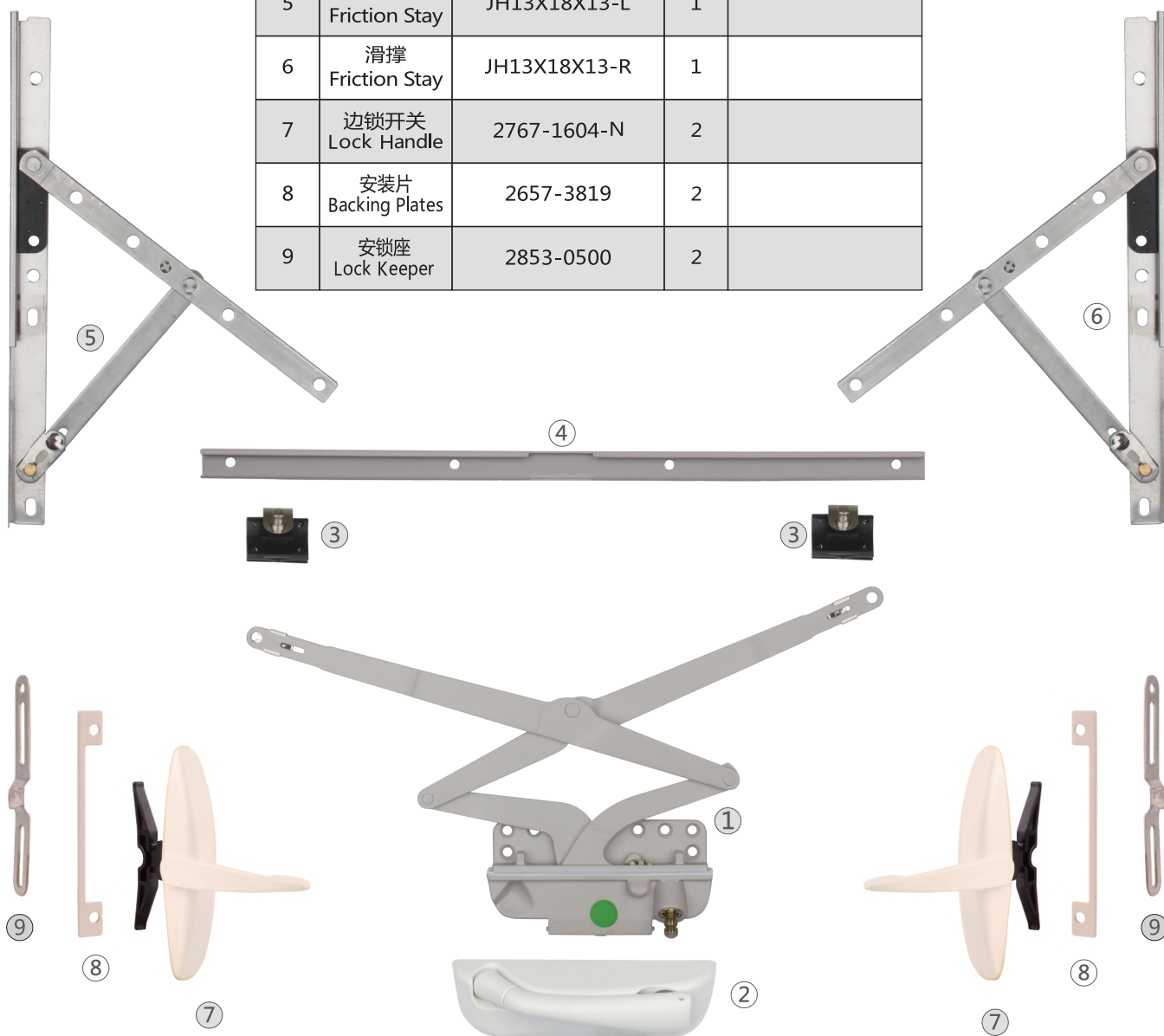
- Decorator Tie Bar Series
- Single, Dual Or Triple Point Lock
- Corro-Guard Steel Bar
- Pre-Installed Guides
- Non-Handed

| 序号<br>NO. | 名称<br>Item             | 编号<br>Part ID            | 数量<br>QTY | 备注<br>Remark              |
|-----------|------------------------|--------------------------|-----------|---------------------------|
| 1         | 传动杆<br>Tie Bar         | 1748系列传动杆<br>1748 Series | 1         |                           |
| 2         | 边锁开关<br>Lock Handle    | 1758-CDBS-01             | 1         |                           |
| 3         | 锁座<br>Lock Keeper      | 1748-K01R                | 1         | 有分左右<br>Left/Right Handed |
| 4         | 传动杆导块<br>Tie Bar Guide | 1748-D02                 | 2         |                           |

- Decorator Tie Bar Series
- Single, Dual Or Triple Point Lock
- Corro-Guard Steel Bar
- Pre-Installed Guides
- Non-Handed

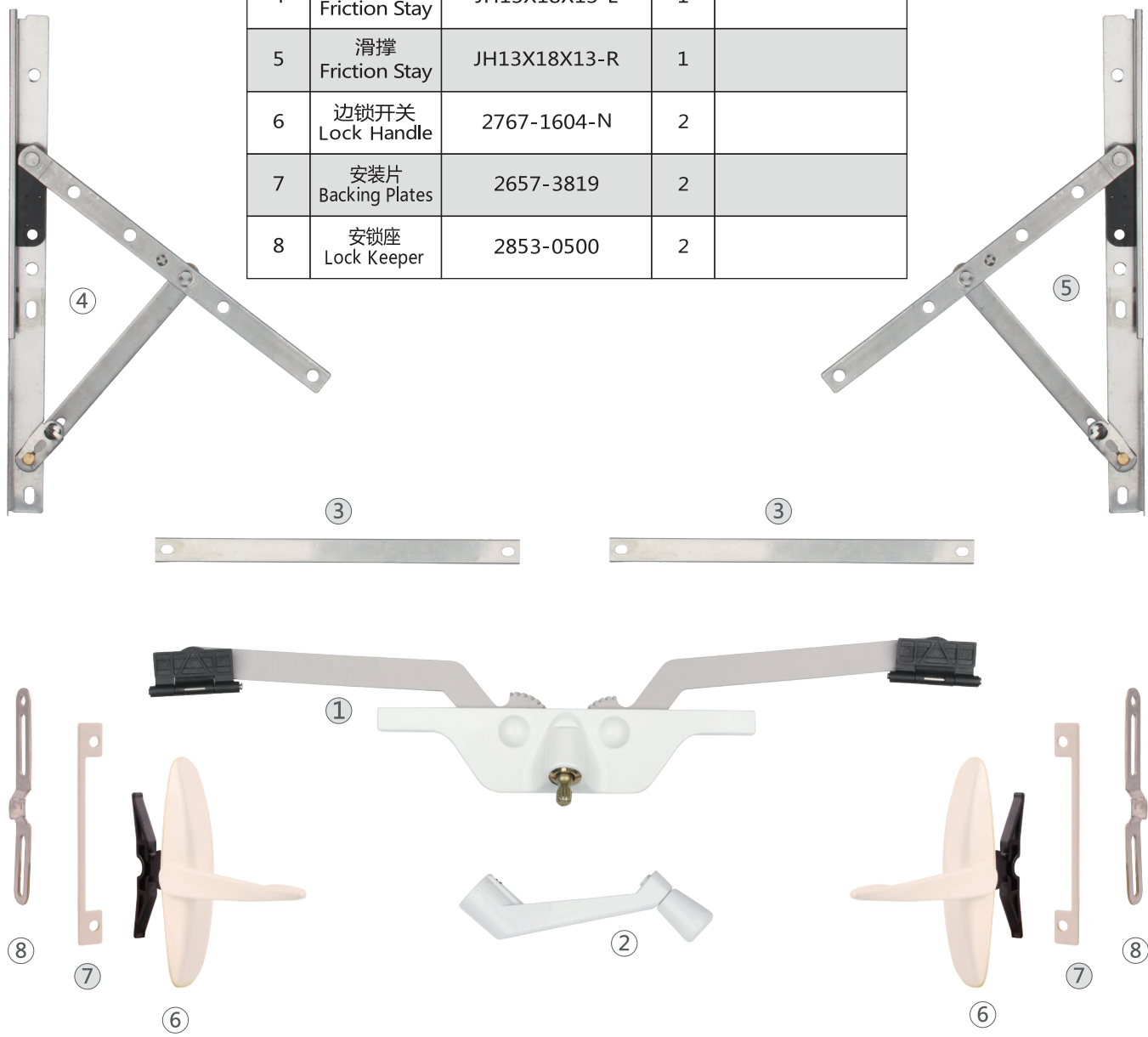
MS-XX-01

| 序号<br>NO. | 名称<br>Item            | 编号<br>Part ID | 数量<br>QTY | 备注<br>Remark              |
|-----------|-----------------------|---------------|-----------|---------------------------|
| 1         | 开窗器<br>Operator       | D524-1500     | 1         |                           |
| 2         | 把手<br>Lock Handle     | C537-5312-GD  | 1         | 有分左右<br>Left/Right Handed |
| 3         | 滑块<br>Guide           | 2632-0519     | 2         |                           |
| 4         | 导轨<br>Track           | 2633-1600     | 1         |                           |
| 5         | 滑撑<br>Friction Stay   | JH13X18X13-L  | 1         |                           |
| 6         | 滑撑<br>Friction Stay   | JH13X18X13-R  | 1         |                           |
| 7         | 边锁开关<br>Lock Handle   | 2767-1604-N   | 2         |                           |
| 8         | 安装片<br>Backing Plates | 2657-3819     | 2         |                           |
| 9         | 安锁座<br>Lock Keeper    | 2853-0500     | 2         |                           |

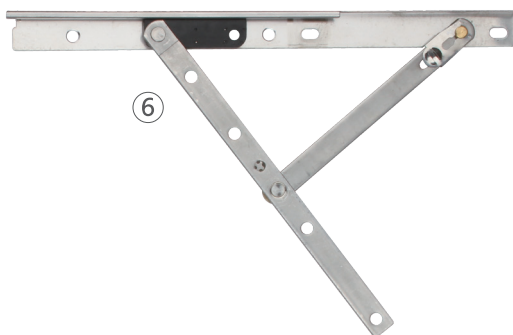


MS-XX-02

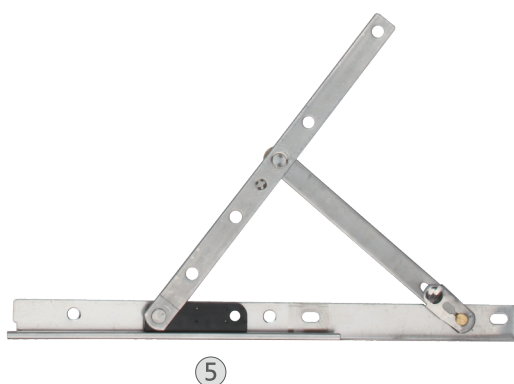
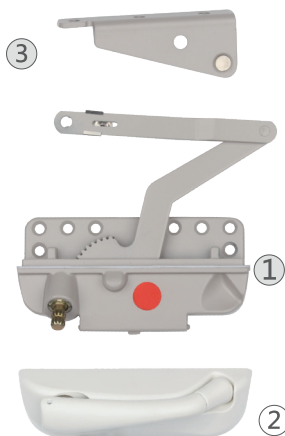
| 序号<br>NO. | 名称<br>Item            | 编号<br>Part ID | 数量<br>QTY | 备注<br>Remark             |
|-----------|-----------------------|---------------|-----------|--------------------------|
| 1         | 开窗器<br>Operator       | 7529F-1600K   | 1         | 有多种配置可选<br>Various       |
| 2         | 把手<br>Lock Handle     | 1664-3500     | 1         |                          |
| 3         | 导轨<br>Track           | 2632-0950     | 2         | 多款长度可选<br>Various Length |
| 4         | 滑撑<br>Friction Stay   | JH13X18X13-L  | 1         |                          |
| 5         | 滑撑<br>Friction Stay   | JH13X18X13-R  | 1         |                          |
| 6         | 边锁开关<br>Lock Handle   | 2767-1604-N   | 2         |                          |
| 7         | 安装片<br>Backing Plates | 2657-3819     | 2         |                          |
| 8         | 安锁座<br>Lock Keeper    | 2853-0500     | 2         |                          |



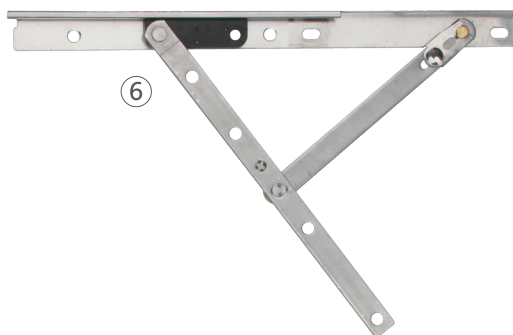
MS-PK-01



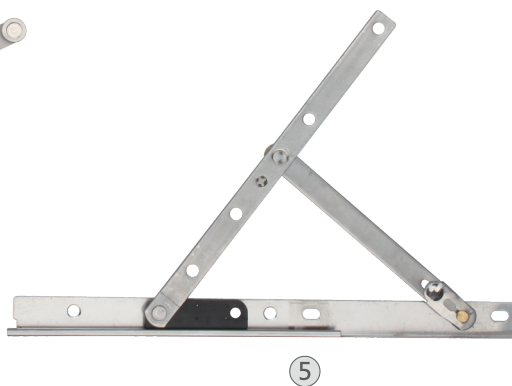
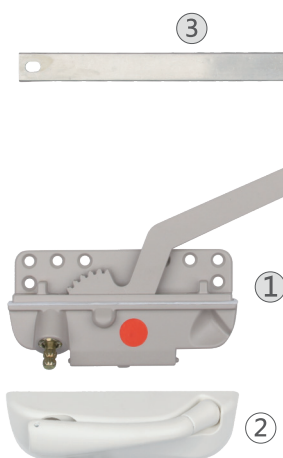
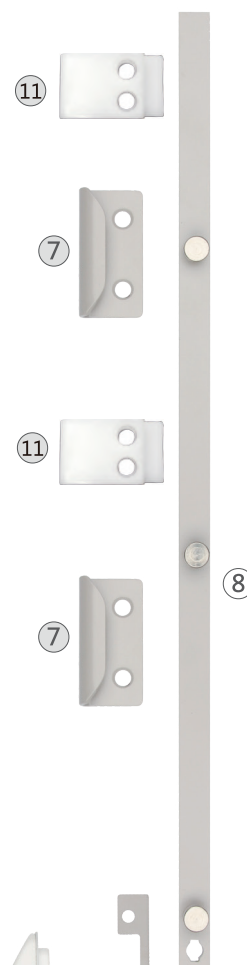
| 序号<br>NO. | 名称<br>Item             | 编号<br>Part ID            | 数量<br>QTY | 备注<br>Remark              |
|-----------|------------------------|--------------------------|-----------|---------------------------|
| 1         | 开窗器<br>Operator        | D521-0850L               | 1         | 有分左右<br>Left/Right Handed |
| 2         | 把手<br>Lock Handle      | C537-5312-RD             | 1         | 有分左右<br>Left/Right Handed |
| 3         | 支架<br>Bracket          | 2632-0826-L              | 1         |                           |
| 4         | 锁座<br>Lock Keeper      | 1434-0500                | 4         |                           |
| 5         | 滑撑<br>Friction Stay    | JH13X18X13-L             | 1         |                           |
| 6         | 滑撑<br>Friction Stay    | JH13X18X13-R             | 1         |                           |
| 7         | 传动杆锁座<br>Lock Keeper   | 2850-0417                | 2         | 多款规格可选<br>Various length  |
| 8         | 传动杆<br>Tie Bar         | 1747系列传动杆<br>1747 Series | 1         | 多款规格可选<br>Various length  |
| 9         | 边锁开关<br>Lock Handle    | 2762-1390-N              | 1         | 可选其它规格<br>Various         |
| 10        | 安装片<br>Back Plate      | 2657-3819                | 1         | 可选其它规格<br>Various         |
| 11        | 传动杆导块<br>Tie Bar Guide | 2856-0260                | 2         |                           |



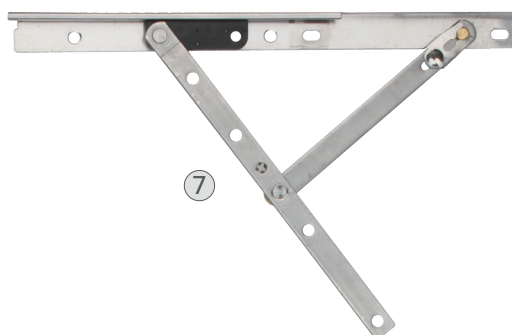
MS-PK-02



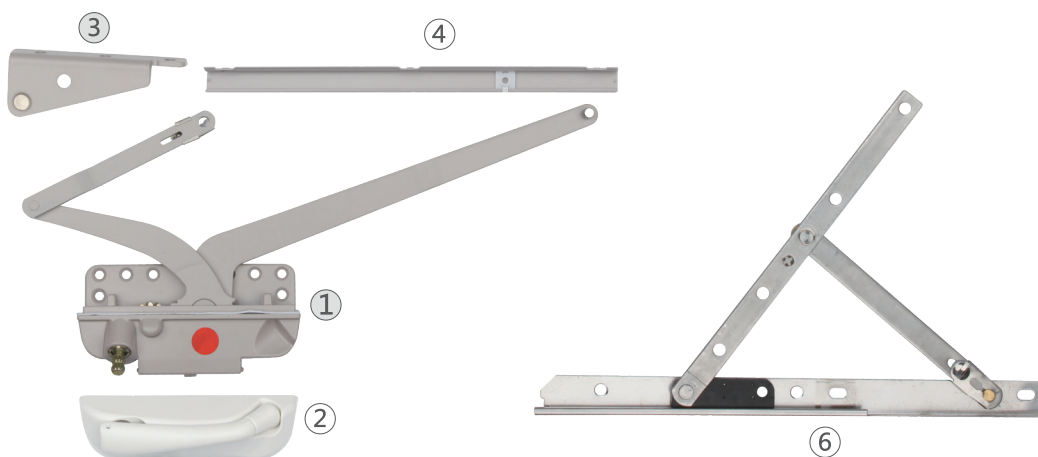
| 序号<br>NO. | 名称<br>Item             | 编号<br>Part ID            | 数量<br>QTY | 备注<br>Remark              |
|-----------|------------------------|--------------------------|-----------|---------------------------|
| 1         | 开窗器<br>Operator        | D522-0950S-R             | 1         | 有分左右<br>Left/Right Handed |
| 2         | 把手<br>Lock Handle      | C537-5312-RD             | 1         | 有分左右<br>Left/Right Handed |
| 3         | 导轨<br>Track            | 2632-1375                | 1         |                           |
| 4         | 锁座<br>Lock Keeper      | 1434-0500                | 4         |                           |
| 5         | 滑撑<br>Friction Stay    | JH13X18X13-L             | 1         |                           |
| 6         | 滑撑<br>Friction Stay    | JH13X18X13-R             | 1         |                           |
| 7         | 传动杆锁座<br>Lock Keeper   | 2850-0417                | 2         | 多款规格可选<br>Various length  |
| 8         | 传动杆<br>Tie Bar         | 1747系列传动杆<br>1747 Series | 1         | 多款规格可选<br>Various length  |
| 9         | 边锁开关<br>Lock Handle    | 2762-1390-N              | 1         | 可选其它规格<br>Various         |
| 10        | 安装片<br>Back Plate      | 2657-3819                | 1         | 可选其它规格<br>Various         |
| 11        | 传动杆导块<br>Tie Bar Guide | 2856-0260                | 2         |                           |



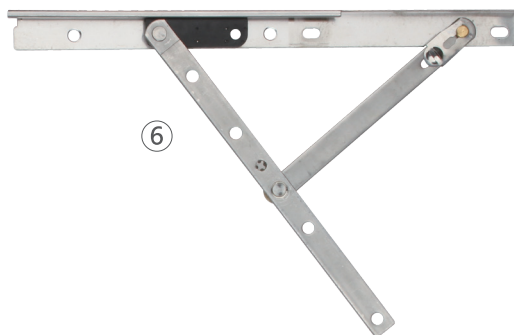
MS-PK-03



| 序号<br>NO. | 名称<br>Item             | 编号<br>Part ID            | 数量<br>QTY | 备注<br>Remark              |
|-----------|------------------------|--------------------------|-----------|---------------------------|
| 1         | 开窗器<br>Operator        | D523-1890R               | 1         | 有分左右<br>Left/Right Handed |
| 2         | 把手<br>Lock Handle      | C537-5312-RD             | 1         | 有分左右<br>Left/Right Handed |
| 3         | 支架<br>Bracket          | 2631-0826-R              | 1         |                           |
| 4         | 导轨<br>Track            | 2633-1138-X              | 1         |                           |
| 5         | 锁座<br>Lock Keeper      | 1434-0500                | 4         |                           |
| 6         | 滑撑<br>Friction Stay    | JH13X18X13-L             | 1         |                           |
| 7         | 滑撑<br>Friction Stay    | JH13X18X13-R             | 1         |                           |
| 8         | 传动杆锁座<br>Lock Keeper   | 2850-0417                | 2         | 多款规格可选<br>Various length  |
| 9         | 传动杆<br>Tie Bar         | 1747系列传动杆<br>1747 Series | 1         | 多款规格可选<br>Various length  |
| 10        | 边锁开关<br>Lock Handle    | 2762-1390-N              | 1         | 可选其它规格<br>Various         |
| 11        | 安装片<br>Back Plate      | 2657-3819                | 1         | 可选其它规格<br>Various         |
| 12        | 传动杆导块<br>Tie Bar Guide | 2856-0260                | 2         |                           |



MS-PK-04



| 序号<br>NO. | 名称<br>Item             | 编号<br>Part ID            | 数量<br>QTY | 备注<br>Remark              |
|-----------|------------------------|--------------------------|-----------|---------------------------|
| 1         | 开窗器<br>Operator        | 6525R-0950S-R-STE        | 1         | 有分左右<br>Left/Right Handed |
| 2         | 把手<br>Lock Handle      | 1664-3500                | 1         |                           |
| 3         | 导轨<br>Track            | 2632-1375                | 1         |                           |
| 4         | 锁座<br>Lock Keeper      | 1434-0500                | 4         |                           |
| 5         | 滑撑<br>Friction Stay    | JH13X18X13-L             | 1         |                           |
| 6         | 滑撑<br>Friction Stay    | JH13X18X13-R             | 1         |                           |
| 7         | 传动杆锁座<br>Lock Keeper   | 2850-0417                | 2         | 多款规格可选<br>Various length  |
| 8         | 传动杆<br>Tie Bar         | 1747系列传动杆<br>1747 Series | 1         | 多款规格可选<br>Various length  |
| 9         | 边锁开关<br>Lock Handle    | 2762-1390-N              | 1         | 可选其它规格<br>Various         |
| 10        | 安装片<br>Back Plate      | 2657-3819                | 1         | 可选其它规格<br>Various         |
| 11        | 传动杆导块<br>Tie Bar Guide | 2856-0260                | 2         |                           |

